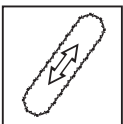




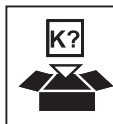
# Ersatzketten für alle Hersteller



## Bedeutung der Symbole



Sägeketten-  
länge



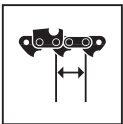
Verpackungscode,  
damit finden Sie  
am schnellsten  
die passende Sägekette



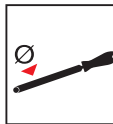
Anzahl  
der Treibglieder



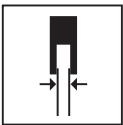
LUX-Artikelnummer



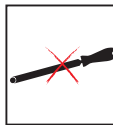
Teilung



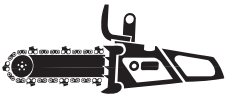
Durchmesser der Ketten-  
sägefeile, mit der die Kette  
geschärft werden kann



Treibgliedstärke



Selbstschärfende  
Kettensäge



**AEG**

KES35, KS30, KS35, KS40	30 cm	45	3/8H	1,3 mm	<b>K02</b>
KES35, KS35, KS40, KES35 Power-Sharp	35 cm	52	3/8H	1,3 mm	<b>K09</b>
KS40	40 cm	57	3/8H	1,3 mm	<b>K13</b>

**ALDI**

KingkraftKS1500B	40 cm	56	3/8H	1,3 mm	<b>K12</b>
EKS1700EKS1920	40 cm	57	3/8H	1,3 mm	<b>K13</b>
Top-Craft2000	40 cm	55	3/8H	1,1 mm	<b>K40</b>

**ALKO**

KB3500, 3501	30 cm	44	3/8H	1,3 mm	<b>K01</b>
1400E, 1500E, 20002300KE3000, KE4000, KE3500, Vario	30 cm	45	3/8H	1,3 mm	<b>K02</b>
KE 1800/35	35 cm	50	3/8H	1,3 mm	<b>K08</b>
KE 1600/40, KE 3000, KE 3500 Vario	35 cm	52	3/8H	1,3 mm	<b>K09</b>
KE 40/16, BKS 40/40II, KB 4000, KB 4500	40 cm	56	3/8H	1,3 mm	<b>K12</b>
KE 3000, KE 4000, KE 3500 Vario	40 cm	57	3/8H	1,3 mm	<b>K13</b>
KB350, KB4000, KB4500, KB 4001, KB 450, KE 4000, KE 4000 Vario	40 cm	55	3/8H	1,3 mm	<b>K15</b>
KB 5000	46 cm	72	325	1,5 mm	<b>K25</b>

**ALPINA-CASTOR**

P34, P34S	30 cm	44	3/8H	1,1 mm	<b>K16</b>
300, 330, 432, Elektra160, Elektra170	30 cm	44	3/8H	1,3 mm	<b>K01</b>
A-10E, A-14E, E120, E130, E150	30 cm	45	3/8H	1,3 mm	<b>K02</b>
330, 380, 432, 438, P34S	35 cm	49	3/8H	1,3 mm	<b>K07</b>
Happy Garden, CX35N, Range / Rolly 35N. Elektra160, Elektra 170	35 cm	50	3/8H	1,3 mm	<b>K08</b>
A-10E, A-14E, E120, E150	35 cm	52	3/8H	1,3 mm	<b>K09</b>
P380, P438, Elektra160, Elektra170, Happy Garden CX40N, Range / Jolly 40N	40 cm	56	3/8H	1,3 mm	<b>K12</b>
A-14E, E130, E150	40 cm	57	3/8H	1,3 mm	<b>K13</b>
380, 438	40 cm	55	3/8H	1,3 mm	<b>K15</b>



**ATIKA**

Comet KS200/40	40 cm	57	3/8H	1,3 mm	<b>K13</b>
----------------	-------	----	------	--------	------------

**BAHR**

KSB3940, KSE2000, KSE2150, KSI1800-35	35 cm	52	3/8H	1,3 mm	<b>K09</b>
KSB3940, KSE2000, KSE2150, KSI1800-35	40 cm	56	3/8H	1,3 mm	<b>K12</b>
KSB4945	45 cm	72	325	1,3 mm	<b>K43</b>

**BLACK & DECKER**

AKKU GKC 181718, AKKUGPC 1800	20 cm	34	3/8	1,1 mm	<b>K60</b>
GK30, CS30, DN400, DN401, DN402, DN412, GK300, GK310, GK330, GK331, GK430, GK1430, GK1630T	30 cm	44	3/8H	1,3 mm	<b>K01</b>
DN404B, GK320, GK120, GK435, CS35, GK35, GK535, GK1435, GK1635T	35 cm	49	3/8H	1,3 mm	<b>K07</b>
AKEEDITION 35-19 S1900	35 cm	52	3/8H	1,1 mm	<b>K38</b>
DN400, DN401, VDN402, DN404, DN416, GK540, GK440, GK330, GK1440, GK1640T	40 cm	56	3/8H	1,3 mm	<b>K12</b>

**BONUS**

KSB3940, KSE2000, KSE2150, KSI1800-35	35 cm	52	3/8H	1,3 mm	<b>K09</b>
KSB3940, KSE2000, KSE2150, KSI1800-35	40 cm	56	3/8H	1,3 mm	<b>K12</b>
KSB4945	45 cm	72	325	1,3 mm	<b>K43</b>

**Bosch**

1586.7, 1586.8, AKE30E, AKE35B, AKE40B, GKE35BC, GKE40BC, PKE25, PKE30B, PKE35B, PKE40B	30 cm	45	3/8H	1,3 mm	<b>K02</b>
AKE35B, GKE35BC, PKE35B, GKE35B	35 cm	52	3/8H	1,3 mm	<b>K09</b>
AKE35-17S=3500=AKEBiber, AKE Edition, AKE30, AKE30-18S, AKE35, AKE35-18S	35 cm	52	3/8H	1,1 mm	<b>K38</b>
AKE40B, GKE40BC, PKE40B	40 cm	57	3/8H	1,3 mm	<b>K13</b>

**BUDGET**

BKS 401	40 cm	57	3/8H	1,3 mm	<b>K13</b>
BKS 402	40 cm	56	3/8H	1,3 mm	<b>K12</b>


**BULLCRAFT**

KSE30, KS1300B, KS300	30 cm	44	3/8H	1,3 mm	<b>K01</b>
BES1300B	35 cm	49	3/8H	1,3 mm	<b>K07</b>
KS300MOT, KS350	35 cm	50	3/8H	1,3 mm	<b>K08</b>
KS40S, KS400S, KS1300B, KSE30, BES1300B	40 cm	55	3/8H	1,3 mm	<b>K15</b>

**CASTOR**

P-34, P,34S, CP-34S, TR-350	30 cm	44	3/8H	1,1 mm	<b>K16</b>
330, CX35, 380, CX40, 423, 438, CX45, P34	35 cm	50	3/8H	1,3 mm	<b>K08</b>
ELECTRIC, E120, E130, E150, KS1400B, KS1500B, C/B-KS37/35-2, C-EKS1800-35	35 cm	52	3/8H	1,3 mm	<b>K09</b>
CP411	38 cm	64	325	1,3 mm	<b>K42</b>
P-34S, CP34-S, ELETTRA160, ELETTRA170, Happy Garden CX35N, Happy Garden CX40N, Happy Garden CX40, CP390, CP450, Hi-tech2.0Q	40 cm	56	3/8H	1,3 mm	<b>K12</b>
Happy Garden CX45N, Happy CX40	45 cm	60	3/8H	1,3 mm	<b>K18</b>
CP480	45 cm	72	325	1,3 mm	<b>K43</b>
CP450, CP500, CP460, CP510	46 cm	72	325	1,5 mm	<b>K25</b>

**CASTORAMA**

CASTTPE40	40 cm	56	3/8H	1,3 mm	<b>K12</b>
-----------	-------	----	------	--------	------------

**CMI**

BKS 25,4-30	30 cm	44	3/8H	1,3 mm	<b>K01</b>
BKS 25,4-30, C-BKS 24,4-30	30 cm	45	3/8H	1,3 mm	<b>K02</b>
CMI 1735BKS	35 cm	49	3/8H	1,3 mm	<b>K07</b>
C-EKS 1800, C-EKS 1800-35, EKSL 1800-35, EKS 1400-35, C/B-KS37/35-2	35 cm	52	3/8H	1,3 mm	<b>K09</b>
CMI BKS 38, CMI BKS 40, CMI 2000-40 EK	40 cm	56	3/8H	1,3 mm	<b>K12</b>
EMI 2040KS, CMI 2040KSI, CMI 2040KSS Elektro, BKS 45,4-40, C-BKS 45,4-40, C/B-KS45,40	40 cm	57	3/8H	1,3 mm	<b>K13</b>

**COMET**

CKS 200, KS2000/40, CKS 2000	40 cm	57	3/8H	1,3 mm	<b>K13</b>
KSC 2000	40 cm	55	3/8H	1,3 mm	<b>K15</b>



**CUB CADET**




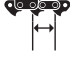


CC3045, 3352, 3551, 4051, 4256	33 cm	56	325	1,5 mm	<b>K20</b>
CC1936, CC2740	35 cm	52	3/8H	1,3 mm	<b>K09</b>

**DIANA**

1300-35KS	35 cm	52	3/8H	1,3 mm	<b>K09</b>
1400-40KS	40 cm	56	3/8H	1,3	<b>K12</b>

**DOLMAR**

100, 100S, 101, 102, 103, 104, 105, 106, 108, 275, 285, 295, ES30, ES140, ES151A, ES160, ES1600, ES1800, PS33, PS34, PS400, PS401, ES30, ES3, ES16A, ES152A, PS3300TH	30 cm	46	3/8H	1,3 mm	<b>K04</b>
PS34, PS-36, ES-2-A, ES31A, ES-31, ES-33A, ES-36A, ES40A, PS3, PS4, ES32AQS, ES4AQS, ES5AQS	30 cm	46	3/8H	1,1 mm	<b>K36</b>
101, 200, 201, 260	35 cm	50	3/8H	1,3 mm	<b>K08</b>
100S, 108, 295, ES1600, 105, 285, 290ES160, PS340, PS341, PS344, ES161A, ES35, ES162A, ES152A, ES-3, ES16A, PS3300TH, ES2035, PS-390QS, PS-45	35 cm	52	3/8H	1,3 mm	<b>K09</b>
PS34, PS-36, ES-2-A, ES31A, ES36A, ES37AQS, ES38A, ES38A/35 ES-40A, PS-2, PS-3, PS-4, ES37AQS, PS-4/35, PS-38A, ES41AQS, PS-32/35, PS-32/35TLC	35 cm	53	3/8H	1,1 mm	<b>K38</b>
109, 111, 112, 113, 114, 115i, 116, 117, 119, 120, PS6000, PS6800, PS52	38 cm	56	3/8	1,5 mm	<b>K30</b>
110i, PS410, PS411, 115i, 113, E1800	38 cm	64	325	1,5 mm	<b>K21</b>
PS410 (ab 2000), PS411 (ab 2000), PS420	38 cm	64	325	1,3 mm	<b>K42</b>
108, 295, PS-390QS, PS 45QS, ES1600, PS341, PS350, PS 350/40, PS400, PS401, ES171A, 172, ES173A, ES41AQS, ES2040, ES172AQS, PS-32/40, PS-32/40 TLC	40 cm	56	3/8H	1,3 mm	<b>K12</b>
PS34, ES31A, ES36A, ES40A	40 cm	56	3/8H	1,1 mm	<b>K39</b>

					
111, 112, 114, 115, 115i, 115i/H, 116, 116SL, 117, 119120Super/Sl, 219, PS-43, PS52, PS6000, PS6000i/H, PS6400, PS6800i/H, PS7300, PS7900	45 cm	64	3/8	1,5 mm	<b>K35</b>
P410 (ab2000), PS411 (ab2000), PS420, PS420/45	45 cm	72	325	1,3 mm	<b>K43</b>

**DYNAMAC**

DY36, DY19E	40 cm	57	3/8H	1,3 mm	<b>K13</b>
-------------	-------	----	------	--------	------------



## ECHO

CS-285EVL, CS-290EVL, CS-300EVL, CS-280E, CS-302, CS-315, CS320EVL, CS-328, CS-330EVL, CS-360EVL, E155, CS-2800, CS-2900, CS-3000, CS-3050, CS-3400, CS-3450	30 cm	45	3/8H	1,3 mm	<b>K02</b>
CS-330EVL, CS-3000, CS-3050, CS-3400, CS-3450, CS3500, CS-285, E1400, CS310ES, CS352ES	35 cm	52	3/8H	1,3 mm	<b>K09</b>
CS450, CS410, CS-3600, CS-3900, CS-4000, CS-4510, CS-4600, CS-4601, CS-4400, CS-4500	38 cm	64	325	1,5 mm	<b>K21</b>
CS-3400, CS-3450, RBK 4040, BG-PC 4040	40 cm	57	3/8H	1,3 mm	<b>K13</b>
CS-600	40 cm	60	3/8	1,6 mm	<b>K33</b>
CS-680, CS-5501, CS-6700, CS-6701, CS-8000	45 cm	64	3/8	1,5 mm	<b>K35</b>

## EINHELL

PES 30/2, PES 34/2, PES 34/3, PES 35, PROFI, PES 35/2TS, PES 35/3, PES 35/3TS, PES 40/3, PKS 35/1AV, PKS 40/1AV, KSE 1435, KSE 1635	30 cm	45	3/8H	1,3 mm	<b>K02</b>
BKS38-35, MKS35	35 cm	49	3/8H	1,3 mm	<b>K07</b>
PES1635, PES1435	35 cm	50	3/8H	1,3 mm	<b>K08</b>
PES 34/2, PES 34/3, PES 35, PROFI, PES 35/2TS, PES 35/3, PE S35/3TS, PKS35/1AV, EK 1635, PES 2000, RBK 3735, BG-PC 3735	35 cm	52	3/8H	1,3 mm	<b>K09</b>
PKS45/1AV, PKS50/1AV	38 cm	64	325	1,5 mm	<b>K21</b>
PES1540, PES1640Royal, PES1540, PES1840/1-40, PES1740	40 cm	55	3/8H	1,3 mm	<b>K15</b>
PES1840	40 cm	55	3/8H	1,1 mm	<b>K40</b>
KE40/16	40 cm	56	3/8H	1,3 mm	<b>K12</b>
EKS1840, PKS1840, PKS1635, EKS2040P, PES40/3, PKS40/ 1AVEKS1540, PES1640, KSE1640, PEK1840, ProWork PEK1840, Mac2240	40 cm	57	3/8H	1,3 mm	<b>K13</b>



## ELECTROLUX

EL 1750-14, ESV 1914	35 cm	50	3/8H	1,3 mm	<b>K08</b>
----------------------	-------	----	------	--------	------------

2115	35 cm	52	3/8H	1,3 mm	<b>K09</b>
------	-------	----	------	--------	------------

## ERGO TOOL

E-KS 2035	35 cm	52	3/8H	1,3 mm	<b>K09</b>
-----------	-------	----	------	--------	------------

## FARMER

MKS350	35 cm	49	3/8H	1,3 mm	<b>K07</b>
--------	-------	----	------	--------	------------

MKS360	35 cm	50	3/8H	1,3 mm	<b>K08</b>
--------	-------	----	------	--------	------------

## FLORABEST

FKS2000A1, FKS2000B1, FKS2000/6, FKS2000/7, FKS2200 B1, FKS2200/08, FKS2200/10, FKS2200/9, FKS22000 1, FKS2200 A1	40 cm	57	3/8H	1,3 mm	<b>K13</b>
---	-------	----	------	--------	------------

CST 3018	30 cm	45	3/8H	1,3 mm	<b>K08</b>
----------	-------	----	------	--------	------------

CST 3519 CX	35 cm	52	3/8H	1,3 mm	<b>K09</b>
-------------	-------	----	------	--------	------------

CSI 4020, CSI 4020-x40	40 cm	57	3/8H	1,3 mm	<b>K13</b>
------------------------	-------	----	------	--------	------------

## FLORASELF

330 Elektro = McCulloch ES15	30 cm	45	3/8H	1,3 mm	<b>K02</b>
------------------------------	-------	----	------	--------	------------

335 Elektro = McCulloch ES16	35 cm	50	3/8H	1,3 mm	<b>K08</b>
------------------------------	-------	----	------	--------	------------

538	35 cm	52	3/8H	1,3 mm	<b>K09</b>
-----	-------	----	------	--------	------------

340 Elektro	40 cm	55	3/8H	1,3 mm	<b>K15</b>
-------------	-------	----	------	--------	------------

## FLEURELLE

FEAS6020T Hochentaster	20 cm	33	3/8H	1,3 mm	<b>K58</b>
------------------------	-------	----	------	--------	------------

FEKS 2040	40 cm	57	3/8H	1,3 mm	<b>K13</b>
-----------	-------	----	------	--------	------------

## GARDENA

Akku Kettensäge, CST2018	20 cm	34	3/8	1,1 mm	<b>K60</b>
--------------------------	-------	----	-----	--------	------------

CST 3018	30 cm	45	3/8H	1,3 mm	<b>K02</b>
----------	-------	----	------	--------	------------

CST 3519 CX	35 cm	52	3/8H	1,3 mm	<b>K09</b>
-------------	-------	----	------	--------	------------

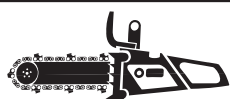
CSI 4020, CSI 4020-x40	40 cm	57	3/8H	1,3 mm	<b>K13</b>
------------------------	-------	----	------	--------	------------

## GO / ON

EK 1800	40 cm	57	3/8H	1,3 mm	<b>K13</b>
---------	-------	----	------	--------	------------

## GREENLINE

G-36	35 cm	52	3/8H	1,3 mm	<b>K09</b>
------	-------	----	------	--------	------------



## GRIZZLY

EKS610T	20 cm	33	3/8H	1,3 mm	<b>K58</b>
BKS 35-32ccm	30 cm	44	3/8H	1,3 mm	<b>K01</b>
BKS 35-14, BKS 38-14, EKS 1600, EKS 1800; MKS350	35 cm	49	3/8H	1,3 mm	<b>K07</b>
BKS 35-32cc, BKS 35-38cc, PKS 360/390, BKS35N	35 cm	50	3/8H	1,3 mm	<b>K08</b>
PKS 35	35 cm	52	3/8H	1,3 mm	<b>K09</b>
EKS 1600/7	35 cm	53	3/8H	1,3 mm	<b>K11</b>
BKS 35-38cc, BKS 35-40cc, PKS 390, EKS1700, EKS 1700-40, EKS1800, EKS1800/40, PK360/390, EKS Elettra 170, P390, Peugeot EKS1740	40 cm	56	3/8H	1,3 mm	<b>K12</b>
Comet CKS 2000, BKS 400, EKS 1800-40, EKS1835QT, EKS 1850, EKS1850/1, EKS2000/ 8QT, EKS2000/6, EKS2000/8, EKS2000/6QT, EKS 2200QT, PKS40/5	40 cm	57	3/8H	1,3 mm	<b>K13</b>
KSE400TL, KS400i, EKS1650, EKS1700/40, EKS2000, EKS2000QT, EKS2500, EKS2500/5, EKS2500/5QT, KSE400TL, KSE400TK: überLidl, Penny, BKS 38-16, EKS 1800-40i	40 cm	55	3/8H	1,3 mm	<b>K15</b>
EKS1800-40, EKS1800-40i	40 cm	55	3/8H	1,1 mm	<b>K40</b>
EKS1800 40i, Parkside EKS1650	40 cm	55	3/8H	1,3 mm	<b>K40</b>
BKS 450-8	40 cm	66	325	1,5 mm	<b>K37</b>
BKS 35-40cc	45 cm	60	3/8H	1,3 mm	<b>K18</b>
BKS 450-8	40 cm	66	325	1,5 mm	<b>K37</b>
BKS 35-40cc	45 cm	60	3/8H	1,3 mm	<b>K18</b>

## GUEDA

GAK 600	20 cm	33	325	1,1 mm	<b>K57</b>
KS 350 E, KS 350 B	35 cm	53	3/8H	1,3 mm	<b>K11</b>
K 400 B	40 cm	66	325	1,5 mm	<b>K37</b>



## HANDY POWER

HP35TT, HANDY P.35CC EPA 2	35 cm	49	3/8H	1,3 mm	<b>K07</b>
HP1400TE 1400 W	35 cm	52	3/8H	1,3 mm	<b>K09</b>

## HANSEATIC

EKS 1640, Hanseatic EKS160	40 cm	57	3/8H	1,3 mm	<b>K13</b>
----------------------------	-------	----	------	--------	------------

## HERKULES

39/41, P352, HHEK 18-35/1	35 cm	52	3/8H	1,3 mm	<b>K09</b>
Herkules 18-41 ab 2003	40 cm	56	3/8H	1,3 mm	<b>K12</b>
Herkules 18-40, Herkules PKS1840, 39/41, P352	40 cm	57	3/8H	1,3 mm	<b>K13</b>
MKS 42-45	45 cm	60	3/8H	1,3 mm	<b>K18</b>
Herkules 49-46	46/45 cm	72	325	1,5 mm	<b>K43</b>

## HITACHI

CS280A, CS280B, CS350A, CS280B, CS30EH, CS30EC S, CS30EHS, CS30EJ, CS30 EGS	30 cm	45	3/8H	1,3 mm	<b>K02</b>
CS33EL	33 cm	56	325	1,3 mm	<b>K41</b>
CS280A, CS280B, CS350A, CS280B, CS35EG S, CS35EHS, CS35EJ	35 cm	52	3/8H	1,3 mm	<b>K09</b>
CS38EK, CS38EL, CS40EL, CS45EL	38 cm	64	325	1,3 mm	<b>K42</b>
CS280A, CS280B, CS350A, CS280B	40 cm	57	3/8H	1,3 mm	<b>K13</b>
CS40EM, CS40SM	40 cm	66	325	1,5 mm	<b>K37</b>
CS40EK, CS45EL	45 cm	72	325	1,3 mm	<b>K43</b>
CS45EM	46 cm	72	325	1,5 mm	<b>K25</b>

## HOMELITE

Bandit BCS35, i3350b, CSP3314	35 cm	52	3/8H	1,3 mm	<b>K09</b>
CSP3816, CSP4016	38 cm	64	325	1,3 mm	<b>K42</b>
Bandit BCS35, i3350b, RCS2040, CSP3316	40 cm	56	3/8H	1,3 mm	<b>K12</b>
CSP4518	45 cm	72	325	1,3 mm	<b>K43</b>

## HORNBAACH

PWR1800CSC, PP1800TE	35 cm	52	3/8H	1,3 mm	<b>K09</b>
----------------------	-------	----	------	--------	------------



## HURRICANE

MKS 38/35, MKS 3, MKS 38/35	35 cm	49	3/8H	1,3 mm	<b>K07</b>
HEK 18-35, 36/35, HEK 18-35	35 cm	52	3/8H	1,3 mm	<b>K09</b>
MS1235	35 cm	53	3/8H	1,3 mm	<b>K11</b>
MKSS21/40	40 cm	55	3/8H	1,3 mm	<b>K15</b>
PS 2000-40E	40 cm	56	3/8H	1,3 mm	<b>K12</b>
PS2000-40E	40 cm	57	3/8H	1,3 mm	<b>K13</b>
MS2245	46 cm	72	325	1,5 mm	<b>K25</b>

## HUSQVARNA

23, 136, 137, 141, 142, 240, 33, 36, 41, 335XPT, 333, 334T, 1600	30 cm	45	3/8H	1,3 mm	<b>K02</b>
M4615, 243, 1400, 136, 141, 315, E316, E317	35 cm	52	3/8H	1,3 mm	<b>K09</b>
61,160,162,181,185, 2100, 2100XP, 2101XP, 246, 254, 262, 262XP, 266, 266XP, 268XP, 272, 272XP, 281, 281XP	38 cm	56	3/8	1,5 mm	<b>K30</b>
36, 40,40P, 41, 42, 44, 45, 50, 51, 55, 242CP, 246, 254, 254XP, 257, 340, 345, 346XP, 350, 351, 359XP, 360, 444, 450, 455, EL16, E1400, EL1600	38 cm	64	3/8	1,5 mm	<b>K21</b>
33, 36, 40, 41, 42, 45, 51, 55, 136, 141, 234, 238, 246, 340, 345, 346, 350, 351, 1400, 1600, EL16	38 cm	64	325	1,3 mm	<b>K42</b>
E312, 137, 142, 243, 320, 338XPT	40 cm	56	3/8H	1,3 mm	<b>K12</b>
ES2200	40 cm	55	3/8H	1,3 mm	<b>K15</b>
240, 236, T540XP, T435	45 cm	60	3/8H	1,3 mm	<b>K18</b>
61, 65, 66, 77, 81, 154, 162, 254, 254XP/XPG, 257, 262, 262XP/XPG, 266, 268, 272, 281, 285, 288, 298, 262XP/XPG, 365, 371, 372XP, 380, 385XP, 394, 480, 2100	45 cm	64	3/8	1,5 mm	<b>K35</b>
36, 40, 41, 45, 51, 55, 136, 141, 246, 340, 345, 346, 350, 359, 360, 435, 440, 1400, 1600, EL16, 353XP, 357XP	45 cm	72	325	1,3 mm	<b>K43</b>



## IKRA

A204B-30, KS1200, KS1200B, FA-12, KS1400B-30, KS1400TS-30, EKS30	30 cm	45	3/8H	1,3 mm	<b>K02</b>
Shark1300, MKS35	35 cm	50	3/8H	1,3 mm	<b>K08</b>
A104S, A202B-35, KS14, FA12, H014, KS1400B-35, Hobbycutter, Woodcutter, KS1400T-35, KS1500T-35, KS1600T-35, KS1400TF-35, KS1600TF-35, KS1435, KSE2000-35, BKS4135, KS14A, KS14AB, KS1400A, Strato+PE1400 DeLuxe	35 cm	52	3/8H	1,3 mm	<b>K09</b>
A205B-40, SEK618, Prof icutter, KS1400B-40, KS1500B-40, MKS40	40 cm	56	3/8H	1,3 mm	<b>K12</b>
BKS4141, KSE2000-40, EKS1600-40, EKS1800-40, KS2000TF-40	"40 41 cm cm"	56	3/8H	1,3 mm	<b>K12</b>
A205B, SEK618, KS1400T, KS1400TS-40, KS1500TS-40, KS1600T-40, KS1500TS-40, KS1600TS-40, KS1800TS-40, KS1600TF, KS1800TF-40, KS1640, EKS40, KS2000TS-40, KSE2000-45, KS2000TF-45, TopCraft EKS 1700, TopCraft EKS 1750, KingCraft 1800/40, EKS 1700	40 cm	57	3/8H	1,3 mm	<b>K13</b>
KSB 4945	45 cm	72	325	1,3 mm	<b>K43</b>
KS1400TS, KS1500TS, KS1600TS, KS1800TS-45, KS1800TF-45	45 cm	62	3/8H	1,3 mm	<b>K44</b>

## JONSERED

2033, 2033TH, 2137, 2138, 370, 380, BABYSAWM36, M361, 2118EL, 2115EL, 2035, 2116, 2135	30 cm	45	3/8H	1,3 mm	<b>K02</b>
2033, 2036, 2040, 370, 380, 2121, 2117, 2139	35 cm	52	3/8H	1,3 mm	<b>K09</b>
670, 670Super, 1020, 2077, 2083, 2094, 2095, 2063, 2065, 2071, 625II, 630SuperII, 670 Champ	38 cm	56	3/8	1,5 mm	<b>K30</b>



## JONSERED

EL14, 45E, 49SP, 50, 51,52E, 380, 410, 420, 435, 450, 451E, 451EV, 451EVS, 452,490, 2016, 2036, 2040, 2041, 2045, 2050, 2051, 2054, 2055, 2150, 2145, 2141, 2152, 2153, 2255	38 cm	64	325	1,5 mm	<b>K21</b>
2014, 2016, 2036, 2040, 2041, 2045, 2050, 2054	38 cm	64	325	1,3 mm	<b>K42</b>
2033, 2036, 2040, 370, 380, 2234, 2238	40 cm	56	3/8H	1,3 mm	<b>K12</b>
2171, 2165, 2186, 2188	45 cm	64	3/8	1,5 mm	<b>K35</b>
2014, 2016, 2036, 2040, 2041, 2045, 2050, 2054	45 cm	72	325	1,3 mm	<b>K43</b>

## JENN FENG

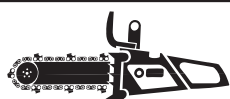
AC310114-35	35 cm	49	3/8H	1,3 mm	<b>K07</b>
-------------	-------	----	------	--------	------------

## JOLLY

40 Garden ranger	40 cm	56	3/8H	1,3 mm	<b>K12</b>
------------------	-------	----	------	--------	------------

## KING CRAFT

BKS4135, KSE200-35, BKS4135	35 cm	52	3/8H	1,3 mm	<b>K09</b>
KSI2000-40, BKS4141	40 cm	56	3/8H	1,3 mm	<b>K12</b>
EKS1750 Jahr 06/2000, KingCraft 1800/40, KSI2000-40, KSI2200, EKS 1600-40, KS2000TF-40, KSE 200-40, KSI 2000-40, 1800/40, 1920	40 cm	57	3/8H	1,3 mm	<b>K13</b>
EKS1750 Jahr 2000	40 cm	55	3/8H	1,1 mm	<b>K40</b>



## KINZO

Garden Power 35 cm	35 cm	53	3/8H	1,3 mm	<b>K11</b>
Garden Power 1600 Watt	40 cm	57	3/8H	1,3 mm	<b>K13</b>

## LEROY SOMER

TLS1412, TLS1530, TLS1614, TLS1616, TLS1635, TLS1716	30 cm	45	3/8H	1,3 mm	<b>K02</b>
TLS1412, TLS1530, TLS1614, TLS1616, TLS1635, TLS1716	35 cm	50	3/8H	1,3 mm	<b>K08</b>

## LOGOSOL

E3052	40 cm	60	3/8	1,6 mm	<b>K33</b>
E3020	38 cm	64	325	1,3 mm	<b>K42</b>

## LUX

AKS 184/20, BAS 34/20, B-HS SET, B-HS plus Set, E-AS 710/20, A-AS 18Li/20, AKS 18Li/20, EAS 600/20, EAS 18Li20, A-HS18Li Set, E-AS710/20, A-AS18Li/20	20 cm	33	3/8H	1,3 mm	<b>K58</b>
EKSL 2200-40, EKS 2400-40, E-KSL-2200/40, E-KS 2200/40L, B-KS 40, 1/40	40 cm	57	3/8H	1,3 mm	<b>K13</b>
BKS 42/45, BKS 46/45 plus, BKS 46/45, BKS 46,4/45, B-KS/45plus	45 cm	72	325	1,3 mm	<b>K43</b>

## MAC ALLISTER




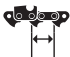


Mac2000 TEL2000W, Mac 2240	40 cm	56	3/8H	1,3 mm	<b>K12</b>
Mac 2000 TE 45-2000W, NOU-VEAUTE 2005, Mac 38TT45	45 cm	60	3/8H	1,3 mm	<b>K18</b>
Mac 2150-45	45 cm	62	3/8H	1,3 mm	<b>K44</b>

## MAROYAMA

MCV3100	35 cm	52	3/8H	1,3 mm	<b>K09</b>
---------	-------	----	------	--------	------------

## MAKITA

5011B, 5012B, UC3000, UC3000A, DES330S, DES390, DES400	30 cm	45	3/8H	1,3 mm	<b>K02</b>
UC3000, UC3030A, UC3530AP	30 cm	46	3/8H	1,3 mm	<b>K04</b>
UC3020A	30 cm	46	3/8H	1,1 mm	<b>K36</b>
DCS460, DCS461, DCS500, DCS501	33 cm	56	325	1,5 mm	<b>K20</b>

					
DCS4300, DCS4301	33 cm	56	325	1,3 mm	<b>K41</b>
DCS350, 5014B, 3500A, UC3530AP, DCS4610, DCS3500, DCS3501, UC4030AP, UC4530A	35 cm	52	3/8H	1,3 mm	<b>K09</b>
UC3520A, UC4020A	35 cm	52	3/8H	1,1 mm	<b>K38</b>
DCS430, DCS520, DCS4300I, DCS5200I, DCS4600S, DCS5000, DCS5001, DCS4630-38	38 cm	64	325	1,5 mm	<b>K21</b>
DCS410, DCS411, DCS430, DCS520, DCS4300I, DCS5200I, DCS4301-38	38 cm	64	325	1,3 mm	<b>K42</b>
DCS460-38	38 cm	56	3/8	1,5 mm	<b>K30</b>
UC4030AP, DCS232-T, DCS4610-35, DCS3410TH-35	40 cm	56	3/8H	1,3 mm	<b>K12</b>
UC4020A	40 cm	56	3/8H	1,1 mm	<b>K39</b>
5016NB, UC4000A, DES400, 5016B	40 cm	57	3/8H	1,3 mm	<b>K13</b>
DCS4610	45 cm	62	3/8H	1,3 mm	<b>K44</b>
DCS410, DCS411, DCS430, DCS520, DCS4300I, DCS5200I	45 cm	72	325	1,3 mm	<b>K43</b>

### MATRIX

ECS 2000-40	40 cm	56	3/8H	1,3 mm	<b>K12</b>
ECS 2000-40, EK 2000-400-1	40 cm	57	3/8H	1,3 mm	<b>K13</b>

### MC CULLOCH

Eager Beaver, Mac120, MM30, Mac832, Mac835, ProMac7, PM6, PM7, Titan7, Mac1,2, 2B, EuroMacS33, 35, ElectraMac 230	30 cm	44	3/8H	1,3 mm	<b>K01</b>
ElectraMac1030, 230, EuroMacES22, S12, ElectraMac312312S, ElectraMac-330Mac12, PM360, 364, 730, 930, 930, ProMac33	30 cm	45	3/8H	1,3 mm	<b>K02</b>
MiniMac, 833, 35, 35AS, Mac835, Mac835AV-S34, Mac836AV-S35, Mac838AV-S38, Mac4, 4b, 130, 837, 838, 14E, 140/9, MacCat839, 310, 330, E14, PM310, 330, 6, 7, 320, EuroMacS33, HobbyStar 32 = 832, Mac335	35 cm	49	3/8H	1,3 mm	<b>K07</b>



## MC CULLOCH

ElectraMac 235, 1035, EuroMac ES24, S36, S40, ProMac36, Mac540, 538, Mac835, 838, 935, PeoMac 7/36, EuroMac35 Mac836 AV-S35, ES35, S14, PM370, 374, 470, 474, 735, Titan35, E35, S33, SE2014, 930, 538, 540PM394 Autosharp, PM494 Autosharp, ElectraMac314, 314S, ElectraMac235, ElectraMac335, Electra- Mac414, Mac335, ProMac1900, E Promac1900, E Promac2200	35 cm	50	3/8H	1,3 mm	<b>K08</b>
Mac335, 435, Mc Cat436, 4-18XT, CS350	35 cm	52	3/8H	1,3 mm	<b>K09</b>
MacCat 438, 2115	36 cm	52	3/8H	1,3 mm	<b>K09</b>
ProMac10-42, CS410Elite	38 cm	64	325	1,3 mm	<b>K42</b>
ProMac 10-42	38 cm	64	325	1,3 mm	<b>K42</b>
ElectraMac240/1040, ElectraMac16E, Mac835, Mac836, Mac838, 940, 3500, 6, 66, PM310, 330, 480, 484, 740, 510, 538, 4040, MacCat839, 310, 330 Daytona 1000-Kit, 486, 900 EuroMac, Es40, S16, 39, 41, Cast3B, 40, 484X, Serie S400, Green Cut GC4000, GST38, E16/40, EuroMac ES26, S36, S40 ProMac36, Mac540/438, HobbyStar 32 = 832, Mac538, 538E, 542E, California, Mac539E, Mac542E, Elektra- Mac2140, ElektraMac240, ElektraMac340, ElektraMac 316, 316S, ElektraMac340, 416, E ProMac1900, ProMac 2200, E ProMac2200	40 cm	55	3/8H	1,3 mm	<b>K15</b>
PM394Autosharp, PM494 Autosharp, MacCat441, MacCat438, MacCat442, MacCat842, CS390, CS390+	40 cm	56	3/8H	1,3 mm	<b>K12</b>



## MC CULLOCH

4, 36, 310, 330, 730, 838, 930, 220, 14A/S, Arizona, California, California2000KIT, California4200, California90, 2000, California200Arizona, MacCalifornia, MacCalifor-niaKit, MacCalifornia42cc, Elektramac230235, 1030, 1035, EM10, 12, 16, 16E, EuromacES22, S39, S41, Hobbystar32, Mac12, 14HC1, Mac538, Mac538E, Mac540, 540E, 542E, 542E18, Mac545, 545E, Mac835, Mac930, 935, MacCat310, 330, 394, 494, S12, Serie S450, S-AV-S340, SV-SBL, Wildcat	45 cm	60	3/8H	1,3 mm	<b>K18</b>
MacCat442	45 cm	62	3/8H	1,3 mm	<b>K44</b>
TimberBear842, Timber-Bear846, TimberBear848, ProMac10-49, ProMac-40, ProMac-46, CS450 Elite	45 cm	72	3/8H	1,3 mm	<b>K43</b>

## METABO

5338	30 cm	44	3/8H	1,3 mm	<b>K01</b>
5338	35 cm	50	3/8H	1,3 mm	<b>K08</b>
KT1441	40 cm	57	3/8H	1,3 mm	<b>K13</b>

## MEROX

EK2400-400WLK	40 cm	56	3/8H	1,3 mm	<b>K12</b>
---------------	-------	----	------	--------	------------

## MR. GARDENER

EKS 2040	40 cm	57	3/8H	1,3 mm	<b>K13</b>
----------	-------	----	------	--------	------------

## NAREX

EPR30D-C	30 cm	45	3/8H	1,3 mm	<b>K02</b>
EPR35D-C	35 cm	52	3/8H	1,3 mm	<b>K09</b>
EPR40D-C	40 cm	57	3/8H	1,3 mm	<b>K13</b>



<b>OBI</b>					
2115	36 cm	52	3/8H	1,3 mm	<b>K09</b>

<b>OLEO-MAC-OLYMPIC</b>					
233, 234, 240, E104F, 935X, 9350X	30 cm	44	3/8H	1,3 mm	<b>K01</b>
931	30 cm	45	3/8H	1,3 mm	<b>K02</b>
233, 234, 240, 244, 335, 340, 930, 935X, E140F	35 cm	49	3/8H	1,3 mm	<b>K07</b>
E170F, 0M-E200	35 cm	50	3/8H	1,3 mm	<b>K08</b>
931	35 cm	52	3/8H	1,3 mm	<b>K09</b>
938	38 cm	64	325	1,5 mm	<b>K21</b>
938, 941	38 cm	65	325	1,3 mm	<b>K42</b>
340, 930, 935	40 cm	55	3/8H	1,3 mm	<b>K15</b>
935X, 9350X, E140F, E160F	40 cm	56	3/8H	1,3 mm	<b>K12</b>
938, 941	45 cm	72	325	1,3 mm	<b>K43</b>

<b>OPEM</b>					
130Z, 140Z, 142Z	30 cm	45	3/8H	1,3 mm	<b>K02</b>
140, 142Z	35 cm	52	3/8H	1,3 mm	<b>K09</b>
K3, K2Super	38 cm	64	325	1,5 mm	<b>K21</b>
140, 142Z	40 cm	57	3/8H	1,3 mm	<b>K13</b>

<b>O.K.</b>					
EKS 1635	35 cm	52	3/8H	1,3 mm	<b>K09</b>
EKS 1840	40 cm	57	3/8H	1,3 mm	<b>K13</b>
EK 2000-400WLK	40 cm	56	3/8H	1,3 mm	<b>K12</b>

<b>PARKSIDE</b>					
EKS1700	40 cm	56	3/8H	1,3 mm	<b>K12</b>
ParksideEKS1700/40, Top-CraftEKS17001750, PKS1634, PKS1840, PKS40/5	40 cm	57	3/8H	1,3 mm	<b>K13</b>
TopCraft2000, PKS2000/4, PKS40, PKS40/3	40 cm	55	3/8H	1,3 mm	<b>K15</b>
EKS1650, 1640, TCK1640, PKS40, PKS40/3	40 cm	55	3/8H	1,1 mm	<b>K40</b>

<b>PARTNER</b>					
330, 335, 340, 345, 360, 385, 1601, 1602, 1612, 1614, 1616, 1618	30 cm	45	3/8H	1,3 mm	<b>K02</b>



## PARTNER

335, 340, 345, 350, 351, 365, 370, 385, 390, 395, 405, 420, 365CCS, P740, P370, P390, P420	35 cm	52	3/8H	1,3 mm	<b>K09</b>
1436, 1641, 1550EL, 1850EL, 185, P520, 616, 620	35 cm	52	3/8H	1,1 mm	<b>K38</b>
360, 365, 400, 405, 410, 450, 460, 465, 495, 510, 540, 545, 550, 605, P500, MiniFarmer-Saw, 4700, P5300, 20X POWER	38 cm	64	325	1,5 mm	<b>K21</b>
650, 7000, F65, P100, P55, P65, P70	38 cm	56	3/8	1,5 mm	<b>K30</b>
EL1450, EL1500, 365, EL1650, 405, 410, 460, 470, 510, 540, P411, P461, P462, P462CCS, P500, P511, P540H, P543, P4200, P4600, P5200, P5300	38 cm	64	325	1,3 mm	<b>K42</b>
1535EL, 1540EL, 1640EL, ES2200	35 cm	50	3/8H	1,3 mm	<b>K08</b>
P538, P538E, P1540, P1640, P538, P538E, P542	40 cm	55	3/8H	1,3 mm	<b>K15</b>
335, 345, 360, P370CCS, 385, 391, 20X, P390CCS, 395, 405, Formula 60, P842	40 cm	56	3/8H	1,3 mm	<b>K12</b>
1641	40 cm	56	3/8H	1,1 mm	<b>K39</b>
P722T, 718	40 cm	57	3/8H	1,3 mm	<b>K13</b>
660, P7700, 710	40 cm	60	3/8	1,6 mm	<b>K33</b>
R435, R440, R522, R523	45 cm	64	3/8	1,5 mm	<b>K35</b>
P390CCS, P420CCS, P470CCS, Formula5000	45 cm	62	3/8H	1,3 mm	<b>K44</b>
EL1450, EL1500, EL1650, 405, 410, 460, 461, 465, 470, 495, 510, 540, 545, P4700, P5300	45 cm	72	325	1,3 mm	<b>K43</b>

## PATTFIELD

E-KS 2035	35 cm	52	3/8H	1,3 mm	<b>K09</b>
-----------	-------	----	------	--------	------------

## PERFORMANCE POWER

PP1800, PP40CCEPA2	40 cm	57	3/8H	1,3 mm	<b>K13</b>
45 cm	45 cm	60	3/8H	1,3 mm	<b>K18</b>



## PEUGEOT

TLS1630, TLS1635, TL-S1635A, TLS1640, TRC1630, TRC1635, TRC1640	30 cm	45	3/8H	1,3 mm	<b>K02</b>
TS160, TRC1640	40 cm	56	3/8H	1,3 mm	<b>K12</b>

## PLANTIFLOR

KSE2400, KSI2000	40 cm	56	3/8H	1,3 mm	<b>K12</b>
BK2, 3-45	45 cm	60	3/8H	1,3 mm	<b>K18</b>

## POULAN

1800, 2000, 2300AV, 2300CVA, 25A, Micro25, S25D, S25DA, P600	30 cm	45	3/8H	1,3 mm	<b>K02</b>
2000, 2300AV, 2300CAV, 25A, S25A, S25DA, P600, 1400E, 2250	35 cm	52	3/8H	1,3 mm	<b>K09</b>
ES300	35 cm	52	3/8H	1,1 mm	<b>K38</b>
2800, 2900, 3300, 3350	38 cm	64	325	1,3 mm	<b>K42</b>
ES300	40 cm	56	3/8H	1,1 mm	<b>K39</b>
1800, 2000, 2300AV, 2300CVA, 25A, Micro25, S25D, S25DA, P600	40 cm	57	3/8H	1,3 mm	<b>K13</b>
Pro4016	41 cm	56	3/8H	1,3 mm	<b>K12</b>
2150, 2250, 2400, 2450, 2550, 2600	45 cm	62	3/8H	1,3 mm	<b>K44</b>
2800, 2900, 3300, 3350	45 cm	72	325	1,3 mm	<b>K43</b>

## PWR

PWR1800 CSC	35 cm	52	3/8H	1,3 mm	<b>K09</b>
-------------	-------	----	------	--------	------------



## RYOBI

35B, CSE3330, HC31, HCS31	30 cm	44	3/8H	1,3 mm	<b>K01</b>
35B, CS36C, CS41, CSE3330, CSE385CB, HC36, HC41, HCS31, HCS36	35 cm	49	3/8H	1,3 mm	<b>K07</b>
PCN3335, KS33B-Set, PCN3335C, RCS3535A	35 cm	52	3/8H	1,3 mm	<b>K09</b>
CSN410, RCN3540C	40 cm	56	3/8H	1,3 mm	<b>K12</b>
HC41	40 cm	55	3/8H	1,3 mm	<b>K15</b>

## SHARK

KS1800-40CK	40 cm	57	3/8H	1,3 mm	<b>K13</b>
-------------	-------	----	------	--------	------------

## SHINDAIWA/SDK/ISEKI

A090B, 300S, 357	30 cm	45	3/8H	1,3 mm	<b>K02</b>
A150B, A113, A113L, A113P, A117P, 140, 150E, 300S	35 cm	52	3/8H	1,3 mm	<b>K09</b>
360, 370, 400	33 cm	56	3/25	1,5 mm	<b>K20</b>
440, 488	38 cm	64	3/25	1,5 mm	<b>K21</b>

## SHINGU

SP3200T, SP3200, SP3400	30 cm	45	3/8H	1,3 mm	<b>K02</b>
SP3200T, SP3200, SP3400	35 cm	52	3/8H	1,3 mm	<b>K09</b>
SP3200T, SP3200, SP3400	40 cm	57	3/8H	1,3 mm	<b>K13</b>

## SKIL

1620U, 1634U, 1636U, 1607	30 cm	45	3/8H	1,3 mm	<b>K02</b>
1634U, 1603H, 1604H, 1606H	35 cm	52	3/8H	1,3 mm	<b>K09</b>
1634U, 1603H, 1604H, 1606H	40 cm	57	3/8H	1,3 mm	<b>K13</b>

## STARK

14300, 14830	30 cm	44	3/8H	1,3 mm	<b>K01</b>
14350, 14835	35 cm	49	3/8H	1,3 mm	<b>K07</b>
14400, 14840	40 cm	55	3/8H	1,3 mm	<b>K15</b>

## SYMBRA

14400	40 cm	55	3/8H	1,3 mm	<b>K15</b>
-------	-------	----	------	--------	------------

## SOLO

633, 636	30 cm	45	3/8H	1,3 mm	<b>K02</b>
613-35, 630-35, 633, 636, Greenline 36-39	35 cm	52	3/8H	1,3 mm	<b>K09</b>
635, 636, Greenline	35 cm	52	3/8H	1,1 mm	<b>K38</b>



## SOLO

600, 605, Farmer	35 cm	53	3/8H	1,3 mm	<b>K11</b>
662, 667, 670, 680, 690	38 cm	56	3/8	1,5 mm	<b>K30</b>
639, 641, 644, 644SP, 645, 647, 650, 651, 651SP, 654, 640-40, CC3045, 3352, 3551, 4051, 4256	38 cm	64	325	1,5 mm	<b>K21</b>
614E	40 cm	57	3/8H	1,3 mm	<b>K13</b>

## STARK / SYMPRA / SYMPRATEC

1400, 1412, 1430, 14830, 1414, 1435	30 cm	44	3/8H	1,3 mm	<b>K01</b>
14350, 14835, 14840, 1416, 1500, 1600	35 cm	49	3/8H	1,3 mm	<b>K07</b>
1616, 14400, 16840	40 cm	55	3/8H	1,3 mm	<b>K15</b>

## STAYER

SEC35, SEC40	35 cm	50	3/8H	1,3 mm	<b>K08</b>
SEC40	40 cm	56	3/8H	1,3 mm	<b>K12</b>

## STIGA

SE180, SP340, 930, 935, 1400	35 cm	49	3/8H	1,3 mm	<b>K07</b>
SP355	35 cm	50	3/8H	1,3 mm	<b>K08</b>
SP370	40 cm	56	3/8H	1,3 mm	<b>K12</b>

## STIHL

009, 010, 011, 012, 020, 020T, 021, 023, 025, AV electronic, E10, E140, E160, MS180*, 190*, 200, 210, 211 * =wahlweise 310216	30 cm	44	3/8H	1,3 mm	<b>K01</b>
009, 010, 011, 012, 015, 017, 018/CQT, 019, 020, 020T, 023L, E14, E140, HT75, 019T, HT70, MS170*, 180*, 190, MS192T	30 cm	44	3/8H	1,1 mm	<b>K16</b>
009, 010, 011, 012, 020, 020T, 021, 023, 025, AV electronic, E10, E140, E160, MS170, MS180, MS190, MS190T, MS192T, MS200, MS200T, MS210, MS230, MS231, MS241, MS250, MSE140, MSE160, MSE180, MSE200, E180/CQT,	35 cm	50	3/8H	1,3 mm	<b>K08</b>
009, 017, 018, 019, 023L, E14, E140, HT75, 019T, MS171	35 cm	50	3/8H	1,1 mm	<b>K17</b>



## STIHL

MS240, MS251, 260, 261, 270, 280, 024, 026, 028	37 cm	62	325	1,6 mm	<b>K23</b>
MS290/291/310/311	38 cm	56	3/8	1,5 mm	<b>K30</b>
023, 025, 101, 131, AV electronic, E14, MS201/201T, MS210, 230, 250, MSE160, 180, 200, MS192C-E, MS211, HT75, HTE60	40 cm	55	3/8H	1,3 mm	<b>K15</b>
MS290, 310, 360, 380, 390/391, 029, 030, 031, 032, 034, 036, 038, 039, 041, 042, 044, 045, 046, 048, 056, 064, 066, E15, E20, E220	40 cm	60	3/8	1,6 mm	<b>K33</b>

## SWING

1640KS	40 cm	56	3/8H	1,3 mm	<b>K12</b>
Swing1840KS, Swing1600-40, SwingEKS1600/1640, SwingEKS1800/1840	40 cm	57	3/8H	1,3 mm	<b>K13</b>

## TASTANAKA

ECS320, ECS330, ECS360, ECS3301	30 cm	45	3/8H	1,3 mm	<b>K02</b>
ECS330, ECS3351	35 cm	52	3/8H	1,3 mm	<b>K09</b>

## TALON

AC2108, AC2109, AC2101, AC2105	30 cm	45	3/8H	1,3 mm	<b>K02</b>
AC3101-35, AC3100, CS38	35 cm	49	3/8H	1,3 mm	<b>K07</b>

## TOOM

EKS1635, EKS1840	35 cm	52	3/8H	1,3 mm	<b>K09</b>
ECS2000-40	40 cm	56	3/8H	1,3 mm	<b>K12</b>
EKS1635, EKS1840, ECS2000-40	40 cm	57	3/8H	1,3 mm	<b>K13</b>

## TOP CRAFT

KSI 2000-40, KSI2100	40 cm	56	3/8H	1,3 mm	<b>K12</b>
EKS1700, 1800, EKS1800-40, EKS1750, TCK1640 (2001)	40 cm	57	3/8H	1,3 mm	<b>K13</b>
TKS 1, 8Pro	40 cm	55	3/8H	1,3 mm	<b>K15</b>
E 1,7 Profi, 2000, EKS1700, TCK1640 (2001)	40 cm	55	3/8H	1,1 mm	<b>K40</b>



### TURBO SILENT / O.K.

turbo silent BKS 3536, turbo silent BKS 3536-II, O.K. 1635	35 cm	52	3/8H	1,3 mm	<b>K09</b>
turbo silent BKS 4041, turbo silent BKS 4041-II, O.K. EKS1635	40 cm	56	3/8H	1,3 mm	<b>K12</b>
turbo silent EKS 2040, EKS1840, O.K. 1840	40 cm	57	3/8H	1,3 mm	<b>K13</b>
BKS4245	45 cm	60	3/8H	1,3 mm	<b>K18</b>



## UNIROPA

PKS35	35 cm	52	3/8H	1,3 mm	<b>K09</b>
-------	-------	----	------	--------	------------

## VAP

1400, 35F, 38, 40F, 44F, 52F, 530, 534, 535, 538, 60F	30 cm	44	3/8H	1,3 mm	<b>K01</b>
14F, 542, 68F	40 cm	66	325	1,5 mm	<b>K37</b>

## VARIOLUX

V-ASHS40/20, AKS 24-20	20 cm	33	3/8H	1,3 mm	<b>K58</b>
V-ASA24	20 cm	33	325	1,1 mm	<b>K57</b>
2335BKS, 2135KSE	35 cm	52	3/8H	1,3 mm	<b>K09</b>
2340BKS, 2140KSE, 2340KSE, 2440KSE, V-EKS2400-40, EKSL 2200-40, EKS 2400-40	40 cm	57	3/8H	1,3 mm	<b>K13</b>
V-BKS46-45K, BKS 42,2-4,5, BKS 46, 4-45	45 cm	61	3/8H	1,3 mm	<b>K59</b>
V-BKS45	45 cm	62	3/8H	1,3 mm	<b>K44</b>

## WOOD SHARK







2275	35 cm	52	3/8H	1,3 mm	<b>K09</b>
------	-------	----	------	--------	------------

## ZENOAH

G300T/S, G310TS, G320AVS	30 cm	46	3/8H	1,3 mm	<b>K04</b>
G310TS, G320AVS	35 cm	52	3/8H	1,3 mm	<b>K09</b>
G380AVS, G410AVS, G455AVS, G500AVS, G38, G46, G455AVS, G500AVS	38 cm	64	325	1,5 mm	<b>K21</b>
G320AVS	40 cm	57	3/8H	1,3 mm	<b>K13</b>
G621AV, G621AVS	45 cm	64	3/8	1,5 mm	<b>K35</b>










  			 
<b>K01</b>	310201	4,0 mm	532397
<b>K02</b>	310202	4,0 mm	532397
<b>K04</b>	310204	4,0 mm	532397
<b>K07</b>	310207	4,0 mm	532397
<b>K08</b>	310208	4,0 mm	532397
<b>K09</b>	310209, 398037	4,0 mm	532397
<b>K11</b>	310211	4,0 mm	532397
<b>K12</b>	310212, 397923	4,0 mm	532397
<b>K13</b>	310213, 397922	4,0 mm	532397
<b>K15</b>	310215	4,0 mm	532397
<b>K16</b>	310216	4,5 mm	390030
<b>K17</b>	310217	4,5 mm	390030
<b>K18</b>	310218	4,0 mm	532397
<b>K20</b>	310220	4,0 mm	532397
<b>K21</b>	310221	4,8 mm	532399
<b>K23</b>	310223	4,8 mm	532399
<b>K25</b>	310225	4,8 mm	532399
<b>K30</b>	310230	4,8 mm	532399
<b>K33</b>	310233	4,8 mm	532399
<b>K35</b>	310235	4,8 mm	532399
<b>K36</b>	310236	4,5 mm	390030
<b>K37</b>	841037	4,5 mm	390030
<b>K38</b>	310238, 397924	4,5 mm	390030
<b>K39</b>	310239	4,5 mm	390030
<b>K40</b>	310240	4,5 mm	390030





	 		
<b>K41</b>	310241	4,5 mm	390030
<b>K42</b>	310242	4,8 mm	532399
<b>K43</b>	310243	4,8 mm	532399
<b>K44</b>	310244	4,0 mm	532397
<b>K57</b>	310257	4,5 mm	390030
<b>K58</b>	310258	4,0 mm	532397
<b>K59</b>	390043	4,0 mm	532397
<b>K92</b>	390392	4,0 mm	532397

